

# **BUILDIT**

## **ALUMINUM TOUR CASE ACCESSORIES**

**BUILD YOUR OWN  
TOUR CASE WITH  
BUILDX**

**WWW.APMC.PH**



# TONGUE AND GROOVE



| SKU                                 |                  |
|-------------------------------------|------------------|
| TONGUE AND GROOVE 3/4 X 10' KAWNEER | <b>PHP270.00</b> |
| TONGUE AND GROOVE 1/2 X 10' KAWNEER | <b>PHP270.00</b> |
| TONGUE AND GROOVE 2/5 X 10' KAWNEER | <b>PHP270.00</b> |
| TONGUE AND GROOVE 3/8 X 10' KAWNEER | <b>PHP270.00</b> |
| TONGUE AND GROOVE 1/4 X 10' KAWNEER | <b>PHP270.00</b> |

# ANGLE WITH GROOVE



| SKU                                   |                  |
|---------------------------------------|------------------|
| ANGLE WITH GROOVE 1-1/8 X 10' KAWNEER | <b>PHP270.00</b> |
| ANGLE WITH GROOVE 7/8 X 10' KAWNEER   | <b>PHP270.00</b> |

# L BRACE 6 HOLES

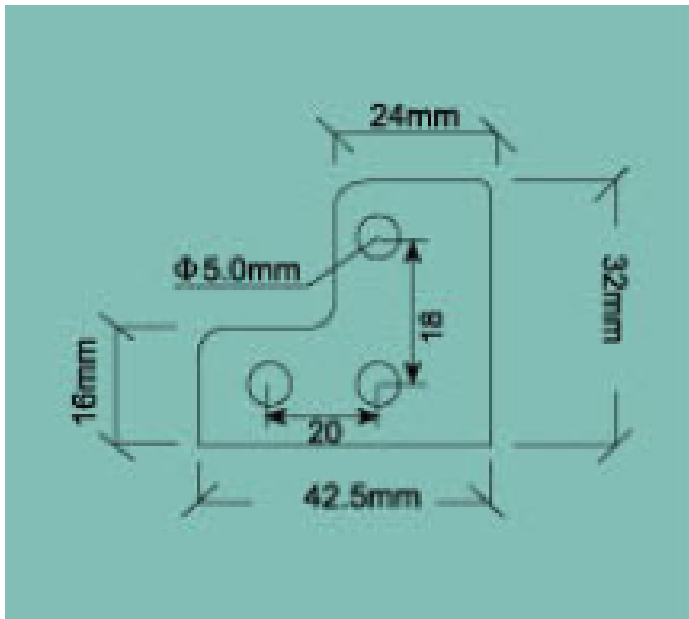
TCA-LBRACESML

SMALL

SIZE: 32 X 42.5MM

WEIGHT: 14.37G

FINISH: CHROME



**PHP17.00**

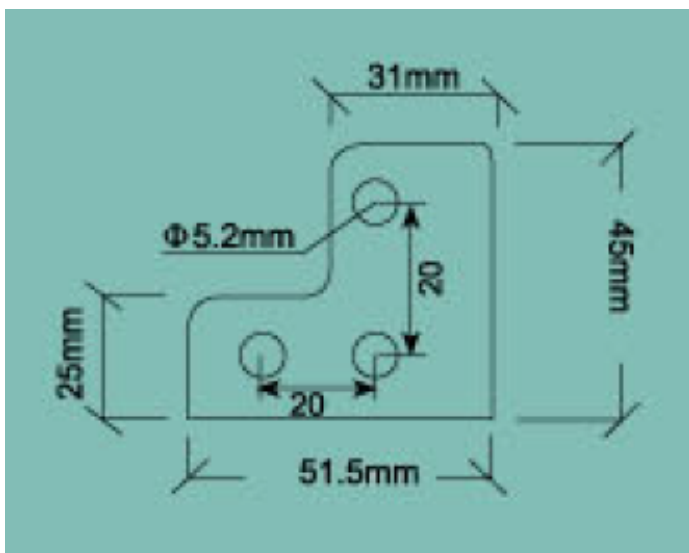
TCA-LBRACEBG

BIG

SIZE: 45 X 51.5MM

WEIGHT: 40.45G

FINISH: CHROME



**PHP20.00**

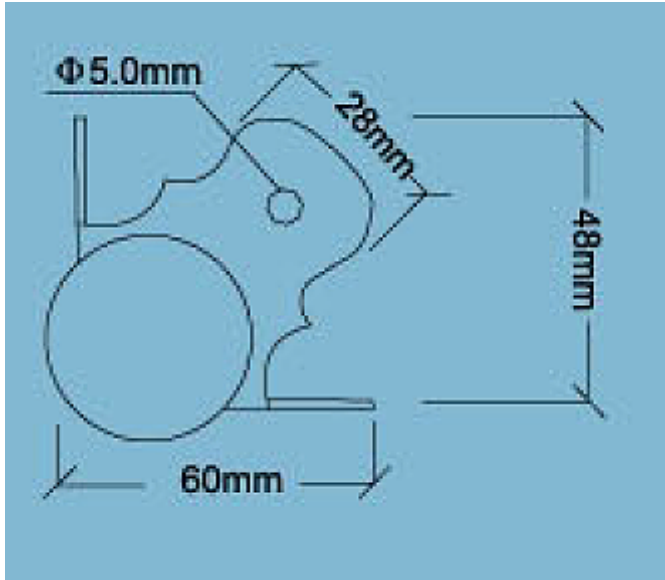
# CORNER BALL SMALL

TCA-CBS60

SIZE: 60 X 48MM

WEIGHT: 43.73G

FINISH: CHROME



**PHP24.00**

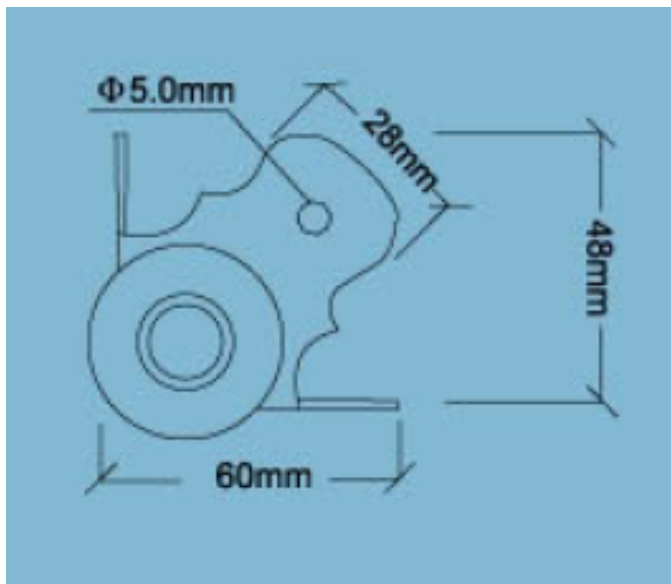
TCA-CBS60D

**DENTED**

SIZE: 60 X 48MM

WEIGHT: 40.38G

FINISH: CHROME



**PHP24.00**

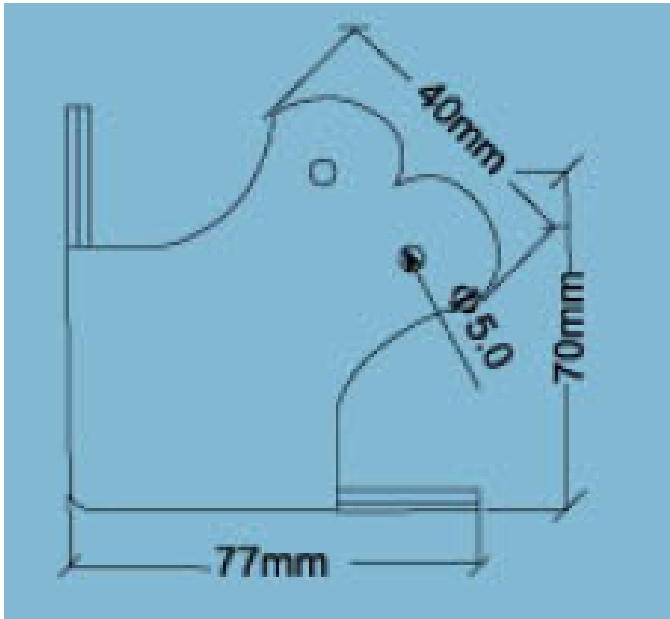
# CORNER BALL BIG

TCA-CBS77

SIZE: 77 X 70MM

WEIGHT: 61G

FINISH: CHROME



**PHP28.00**

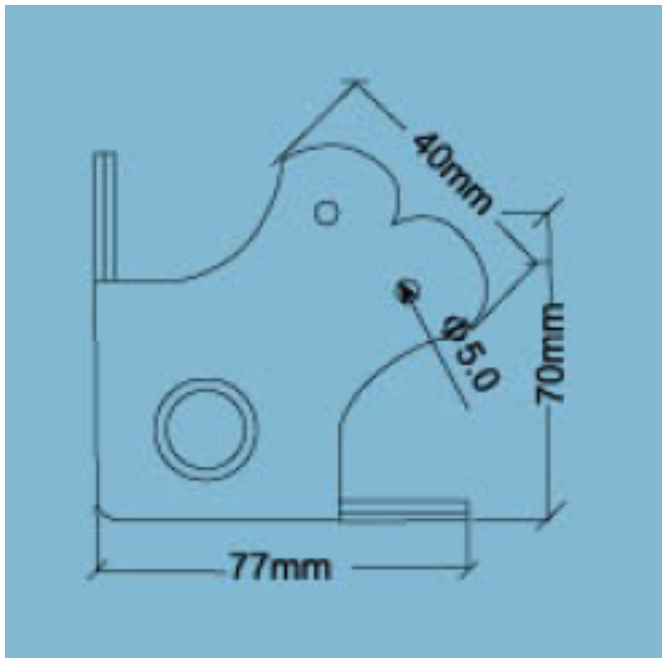
TCA-CBS77D

DENTED

SIZE: 77 X 70MM

WEIGHT: 65G

FINISH: CHROME



**PHP28.00**

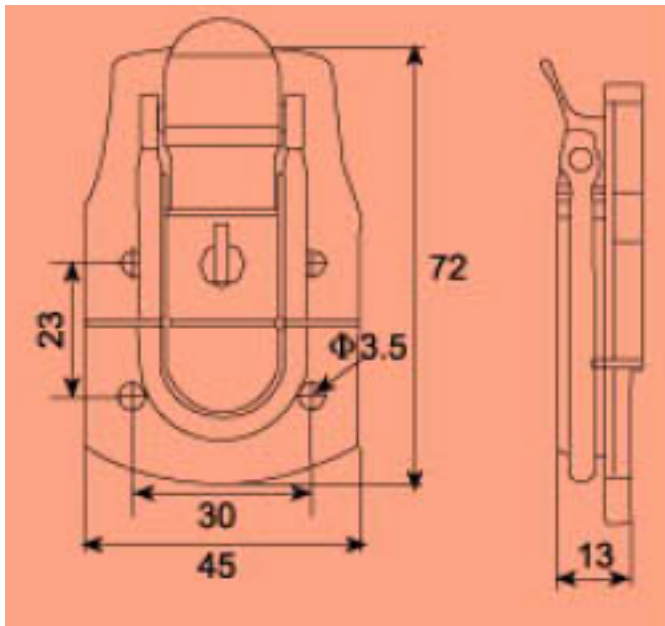
# Case Lock

TCA-CSLOCK

SIZE: 72 X 45MM

WEIGHT: 40.45G

FINISH: CHROME



**PHP45.00**

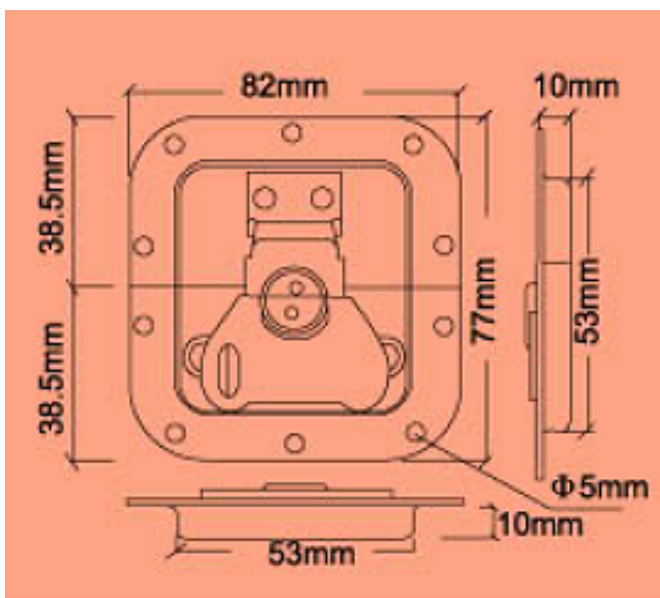
# Twistlock

TCA-TWSTLOK

SIZE: 82 X 77MM | 105 X 112MM

WEIGHT: 118.4G | 229.73G

FINISH: CHROME



SMALL

BIG

**PHP85 | PHP100.00**

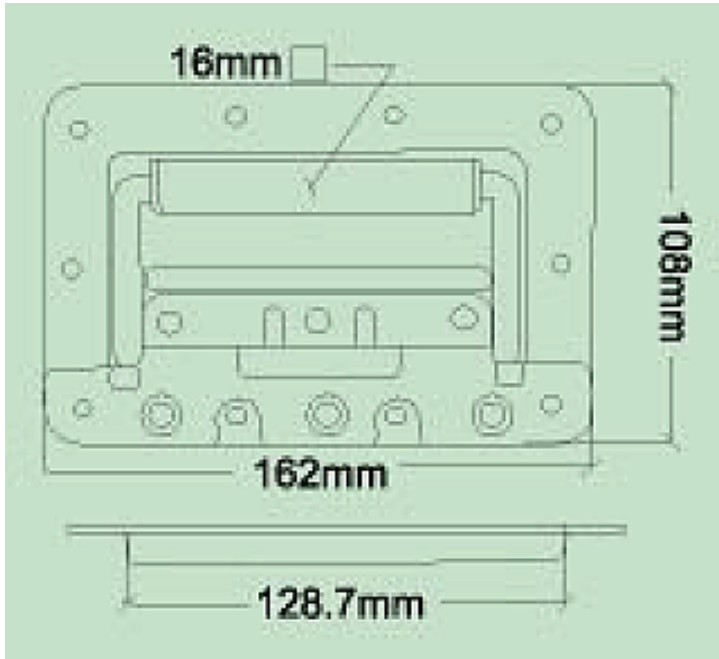
# CASE HANDLE

TCA-HANDLE

SIZE: 162 X 108MM

WEIGHT: 349.23G

FINISH: CHROME



**PHP89.00**

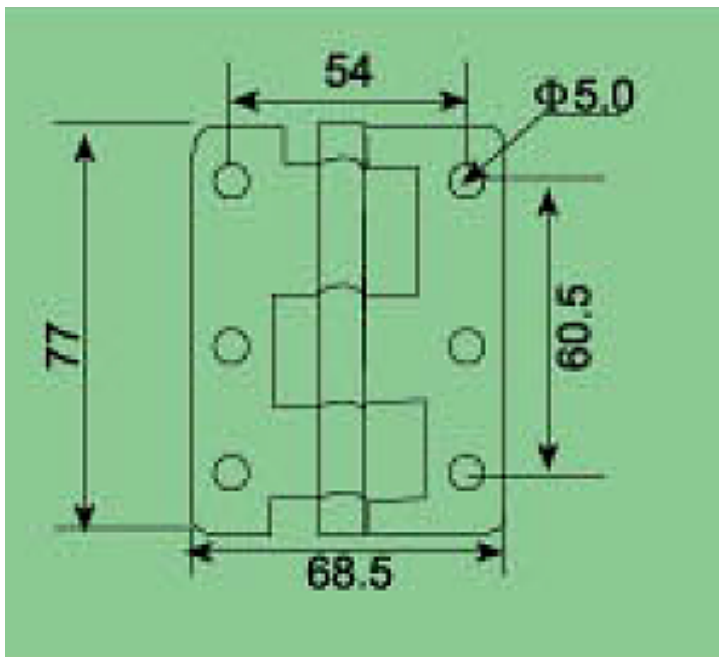
# 6 PIN HINGE

TCA-HINGE6

SIZE: 68.5 X 77MM

WEIGHT: 63.26G

FINISH: CHROME



**PHP30.00**

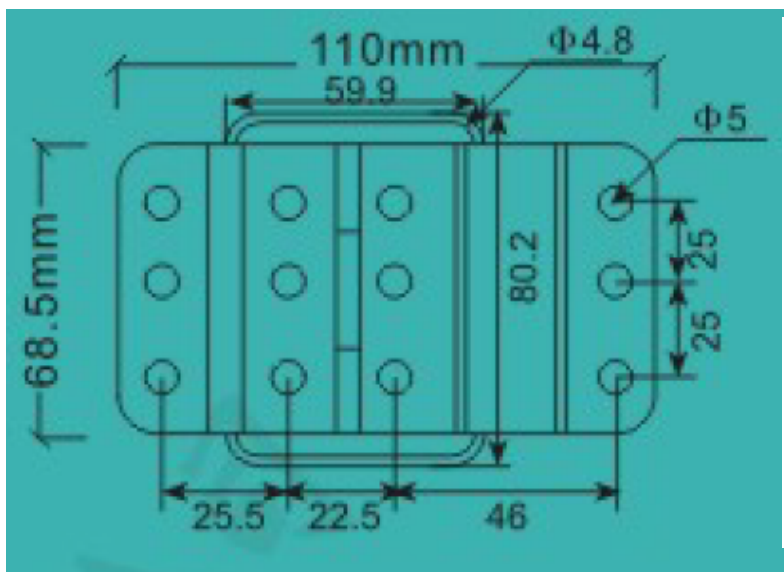
# 12 HOLE HINGE

TCA-HINGE52

SIZE: 110 X 68.5MM

WEIGHT: 112G

FINISH: CHROME



**PHP90.00**

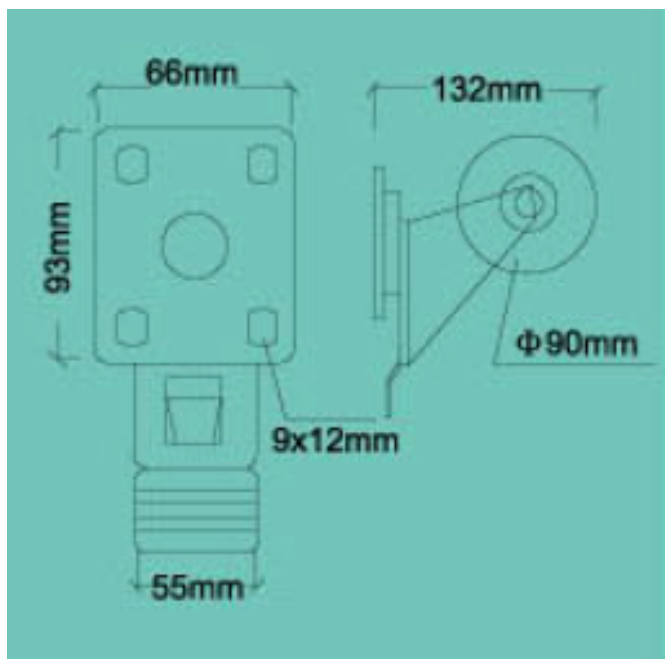


# WHEELS WITH LOCK

TCA-WLOCK3.5

SIZE: 3.5"

WEIGHT: 761.5G

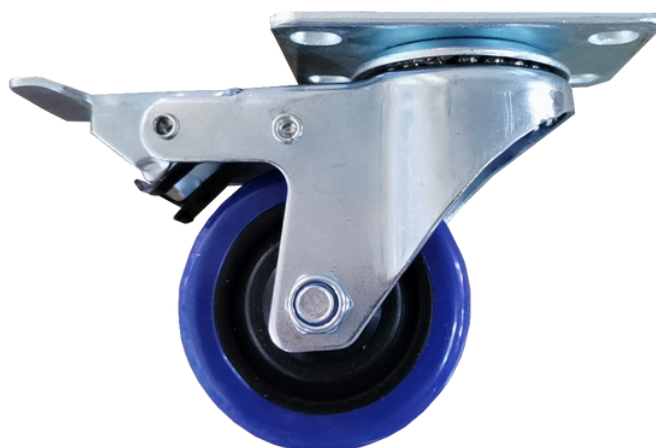
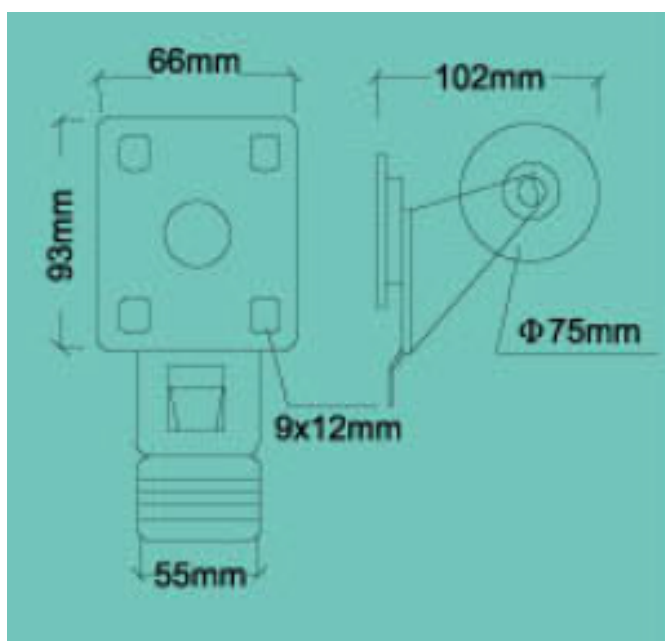


**PHP256.00**

TCA-WLOCK3

SIZE: 3"

WEIGHT: 675G



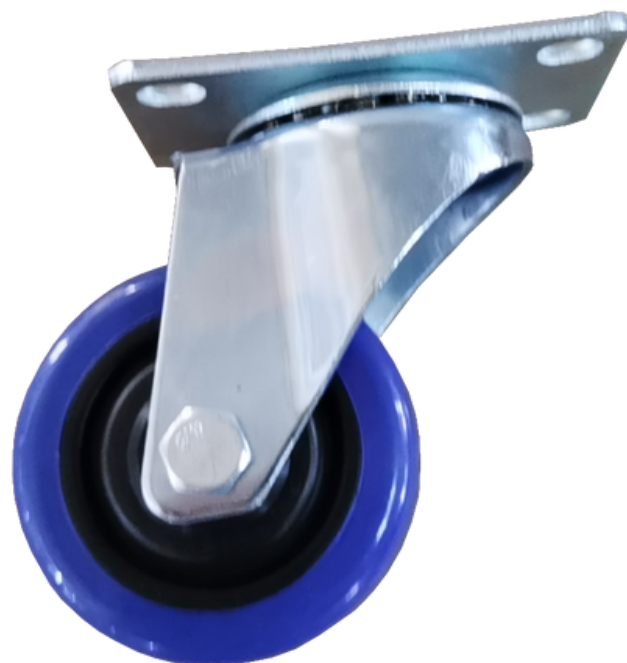
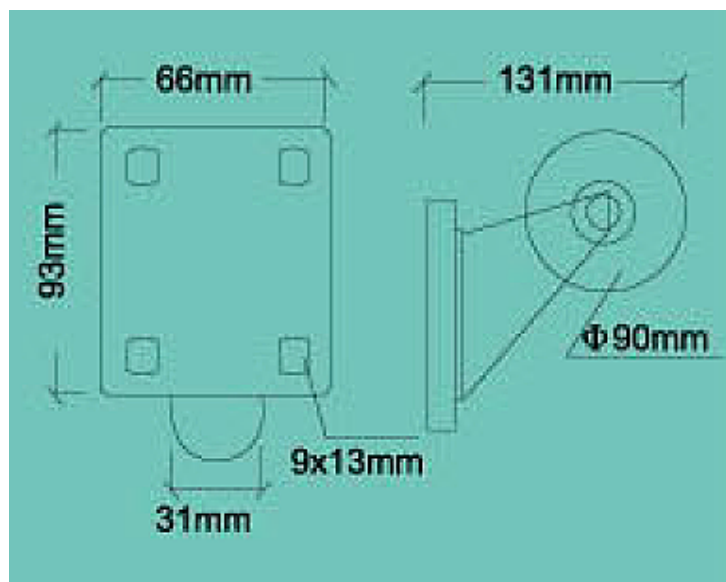
**PHP190.00**

# WHEELS WITHOUT LOCK

TCA-W3.5

SIZE: 3.5"

WEIGHT: 645G

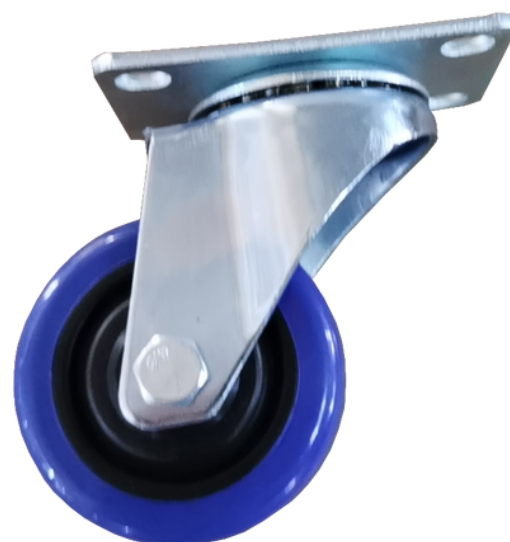
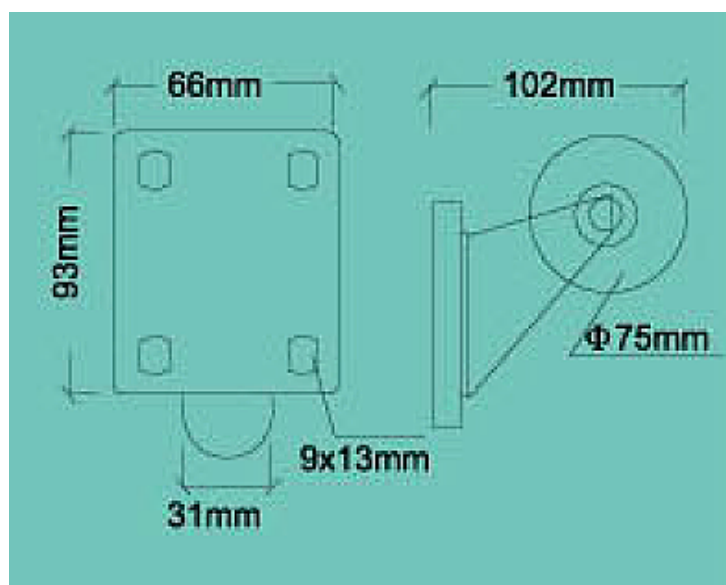


**PHP190.00**

TCA-W3

SIZE: 3"

WEIGHT: 626.1G



**PHP155.00**

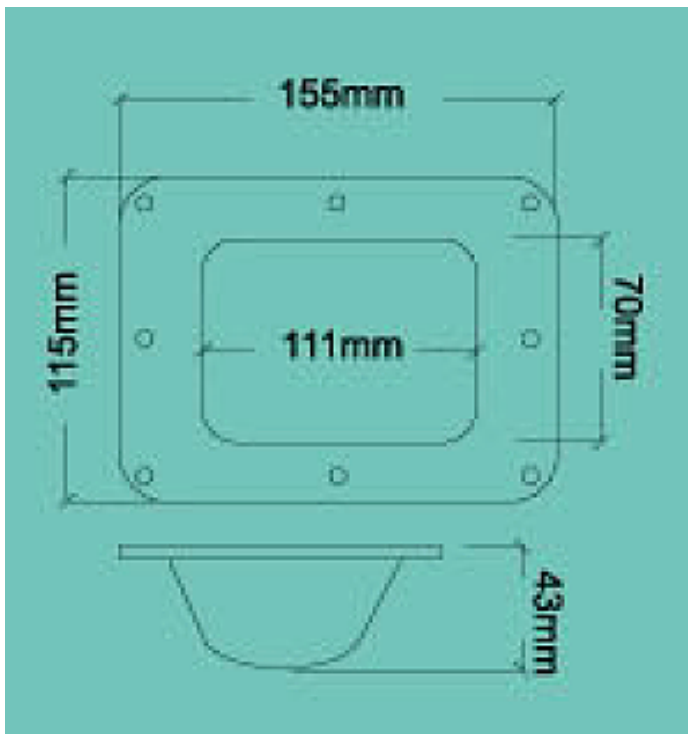
# CASTOR DISH

TCA-CASTOR

SIZE: 115 X 115MM

WEIGHT: 165.45G

FINISH: BLACK



**PHP50.00**

# RUBBER FOOTING

TCA-RRRBIG

SIZE: 45 X 28 X 50MM

WEIGHT: 80.04G

FINISH: BLACK



**PH40.00**

TCA-RBRSML

SIZE: 38 X 38 X 25MM

WEIGHT: 28G

FINISH: BLACK



**PHP25.00**